

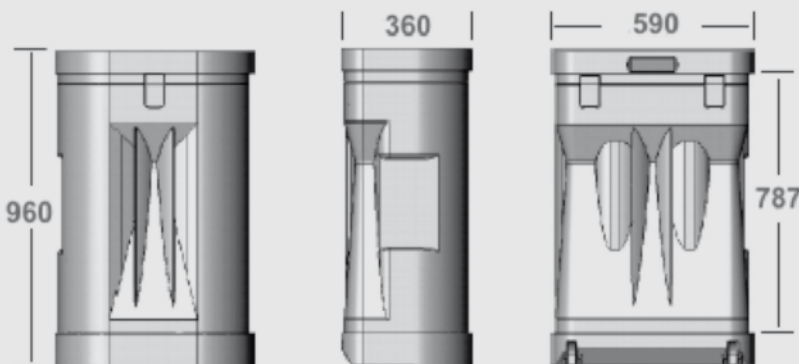
# Premier Zeus Case



The Zeus benefits from an internal divider which houses a lid (seen left), couple this with a printed graphic and you have an instant conversion kit. Also available is the Premium lid (seen below) which offers a more traditional look with a larger folding top, meaning the Zeus Case is the only case you will need.



- **Rotomolded PE Construction**
- **Counter Conversion**
- **Carry Handle**
- **Secure, Lockable lid**



All dimensions shown left are external of the Zeus case. The case is designed to comfortably accommodate a graphics roll 330mm diameter, and frame up to 330mm x 220mm. The internal height of the case is 995mm (case = 875mm, lid = 80mm)

**The graphic size:** 787 x 1770 mm (including a 25 mm overlap).

**Material:** MDPE **Weight:** 8.5kg