

Alternative flat end cap

Total frame height 1997mm

Graphic dimensions

Alternative flat end cap

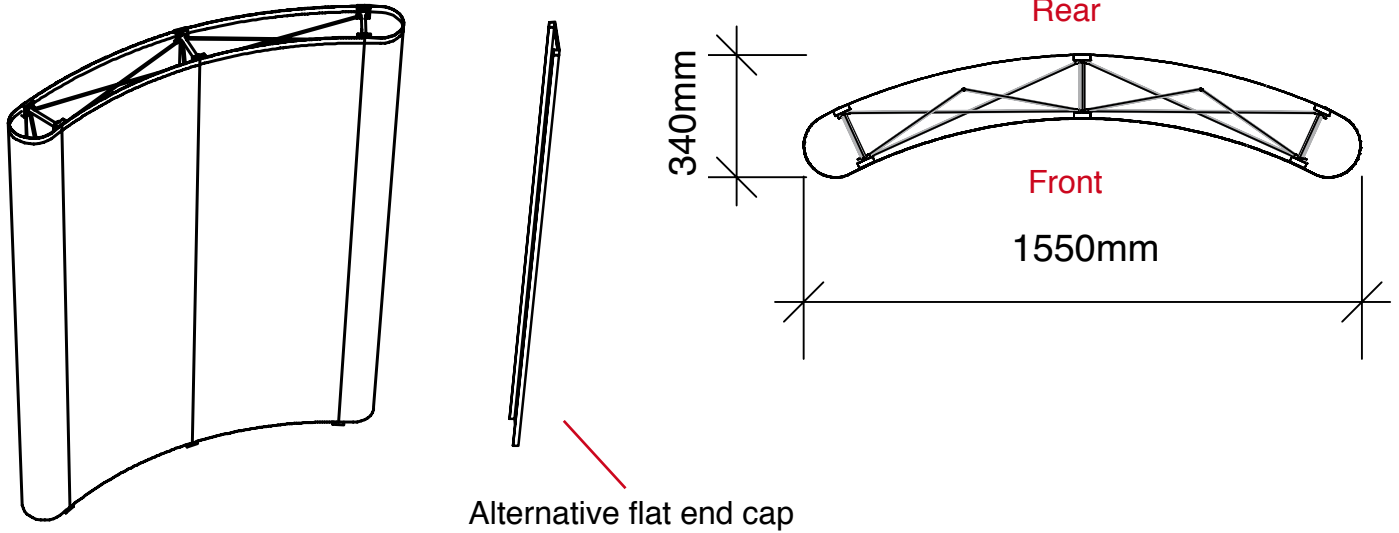
(w) 400 mm	(w) Front 621mm	(w) 400 mm
x (h) 1950 mm	(w) Rear 685mm	x (h) 1950 mm
	x (h) 1950mm	

(w) 183mm
x (h) 1950 mm

N.B. End caps are curved
- remember to put anything important (i.e. logos) in the half nearest the viewer

graphic hinge 23mm wide,
total panel width 229mm

•curved mag bars are available



Total frame height 1997mm

Graphic dimensions

Alternative flat end cap

(w) 400 mm x (h) 1950 mm	(w) Front 621mm (w) Rear 685mm x (h) 1950mm	(w) Front 621mm (w) Rear 685mm x (h) 1950mm	(w) 400 mm x (h) 1950 mm
--	---	---	--

(w) 183mm x (h) 1950 mm
--

N.B. End caps are curved
- remember to put anything important (i.e. logos) in the half nearest the viewer

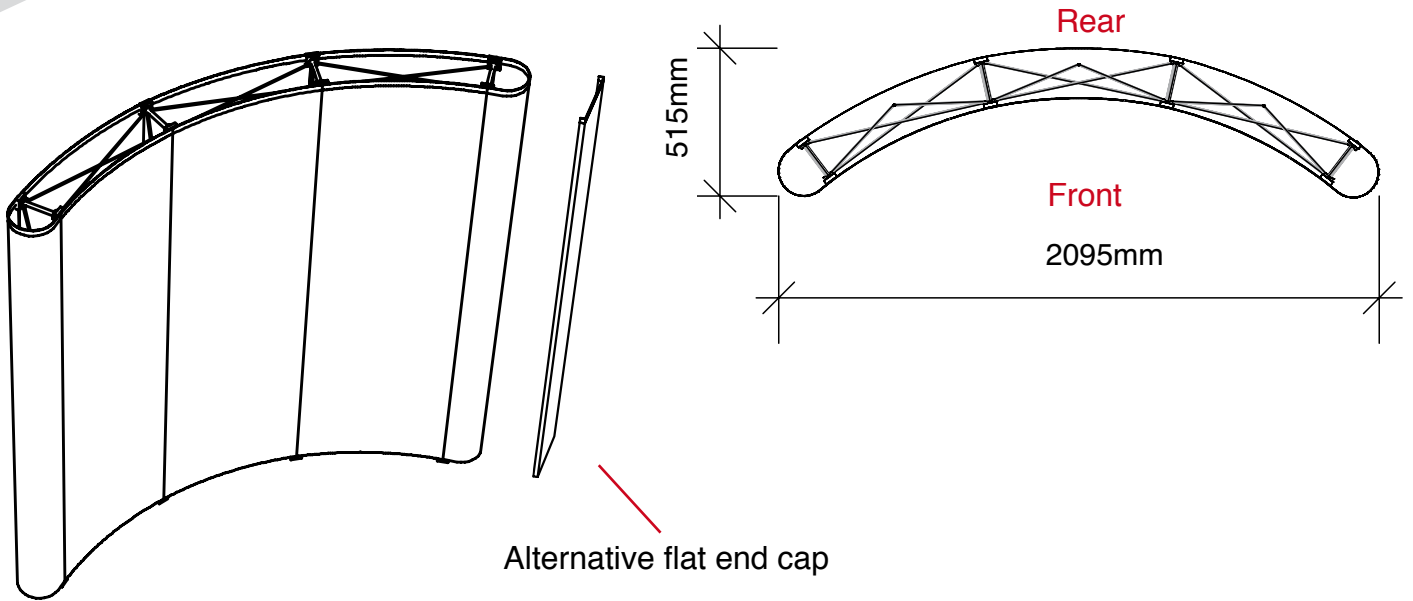
graphic hinge
23mm wide,
total panel
width 229mm

•curved mag bars are available



Premier kit specifications

• Premier Classic mini 3X3 curved

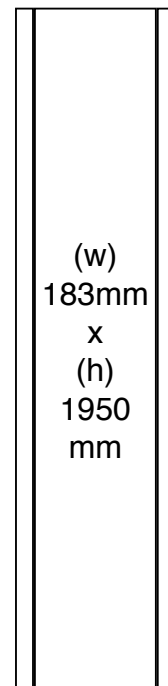


Total frame height 1997mm

Graphic dimensions

(w) 400 mm x (h) 1950 mm	(w) Front 621mm (w) Rear 685mm x (h) 1950mm	(w) Front 621mm (w) Rear 685mm x (h) 1950mm	(w) Front 621mm (w) Rear 685mm x (h) 1950mm	(w) 400 mm x (h) 1950 mm
--	---	---	---	--

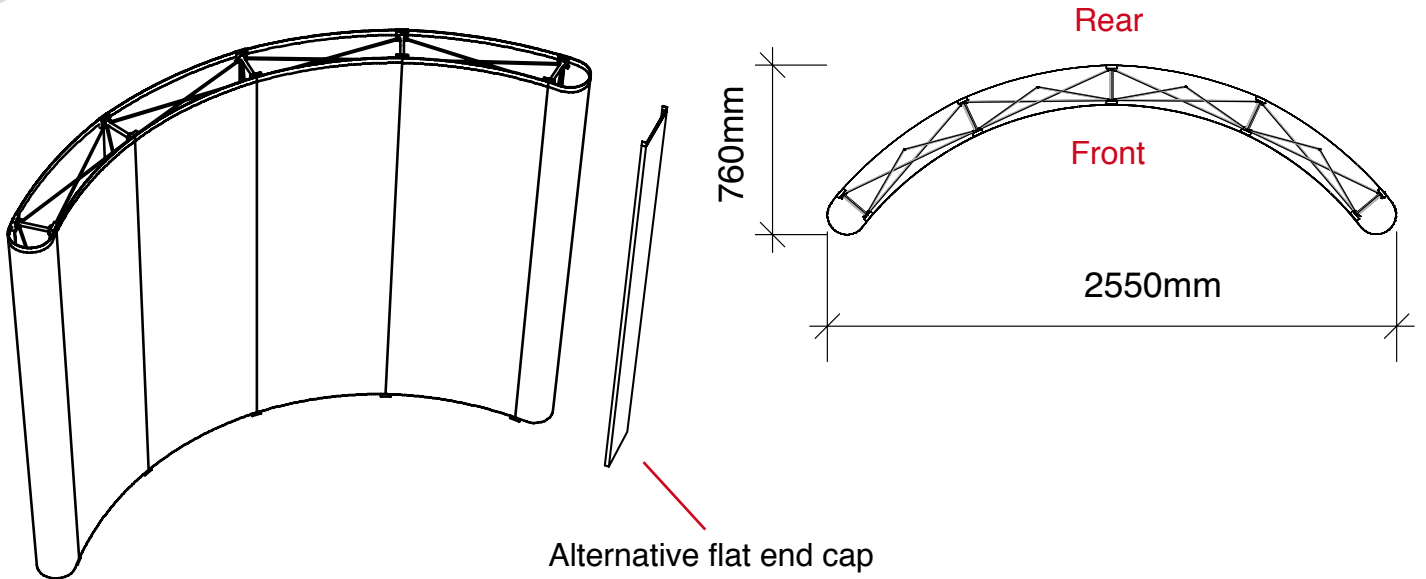
Alternative flat end cap



N.B. End caps are curved
- remember to put anything
important (i.e. logos) in the half
nearest the viewer

graphic hinge
23mm wide,
total panel
width 229mm

•curved mag bars are available

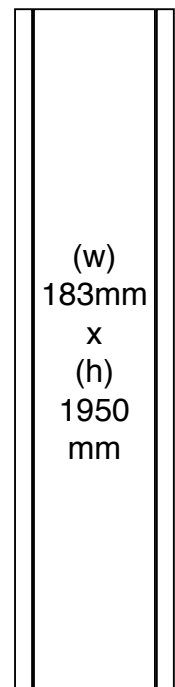


Total frame height 1997mm

Graphic dimensions

Alternative flat end cap

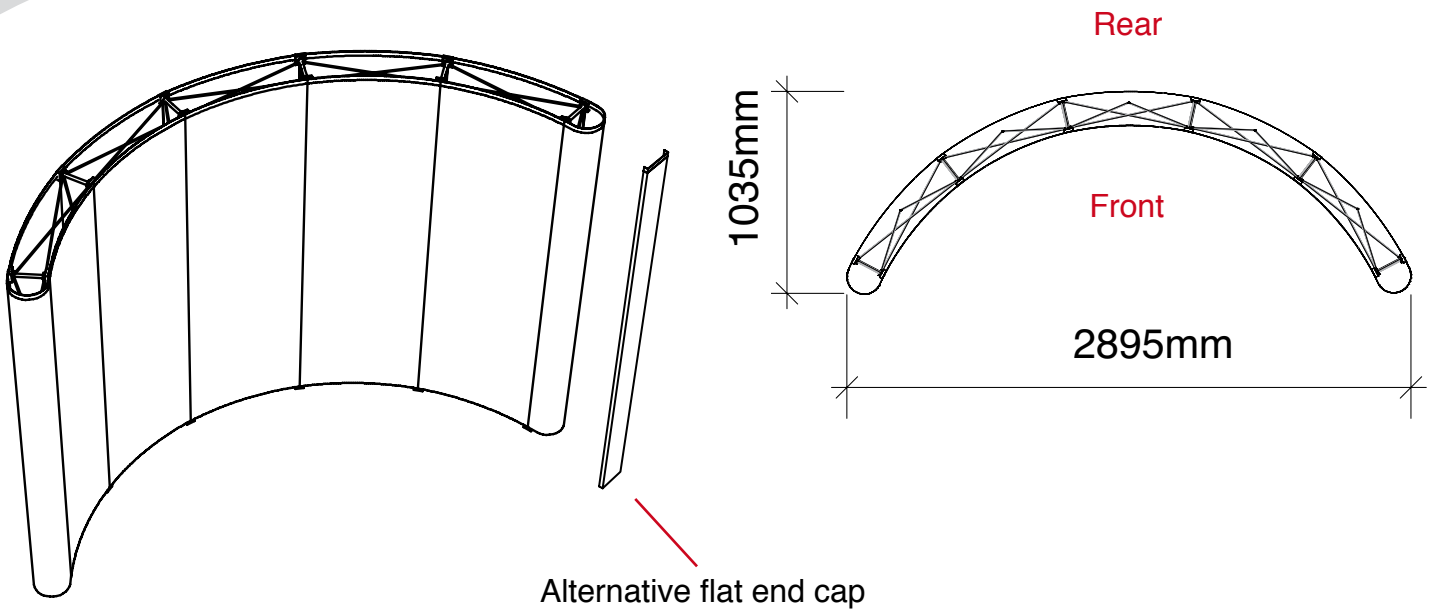
(w) 400 mm x (h) 1950 mm	(w) Front 621mm (w) Rear 685mm x (h) 1950mm	(w) Front 621mm (w) Rear 685mm x (h) 1950mm	(w) Front 621mm (w) Rear 685mm x (h) 1950mm	(w) Front 621mm (w) Rear 685mm x (h) 1950mm	(w) 400 mm x (h) 1950 mm
--	---	---	---	---	--



N.B. End caps are curved - remember to put anything important (i.e. logos) in the half nearest the viewer

graphic hinge 23mm wide, total panel width 229mm

•curved mag bars are available

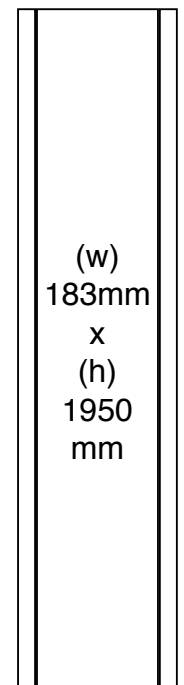


Total frame height 1997mm

Graphic dimensions

Alternative flat end cap

(w) 400 mm x (h) 1950 mm	(w) Front 621mm (w) Rear 685mm x (h) 1950mm	(w) Front 621mm (w) Rear 685mm x (h) 1950mm	(w) Front 621mm (w) Rear 685mm x (h) 1950mm	(w) Front 621mm (w) Rear 685mm x (h) 1950mm	(w) Front 621mm (w) Rear 685mm x (h) 1950mm	(w) 400 mm x (h) 1950 mm
--	---	---	---	---	---	--



N.B. End caps are curved - remember to put anything important (i.e. logos) in the half nearest the viewer

graphic hinge 23mm wide, total panel width 229mm

•curved mag bars are available